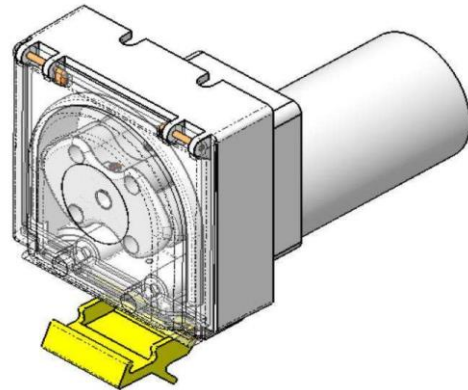


## 4000 Series with heavy duty DC motor

- Hinged lid for easy tube replacement
- No tube lubrication required
- DC gear motor for speed control



The 4000 is a high performance and versatile peristaltic pump. The hinged lid forms an integral part of the pump construction, and releasing the lid catch facilitates tubing replacement. The lid can also be removed completely for tube replacement in confined spaces.

Options available for this unit include a choice of tube material and size, motor speed, voltage and tube connectors.

### General Specification:

Motor – Permanent magnet with spur gearbox 12v or 24v DC

Pump body – Glass filled polypropylene

Rotor – PPS Ryton<sup>®</sup>

Rollers – Nylatron<sup>®</sup>

Lid – Polycarbonate

Tube options – Silicone (2.4mm Wall) or Santoprene<sup>®</sup> (2.4mm Wall)

### Flow rate ml per revolution:

Tube I.D	Silicone tubing	Santoprene tubing
8mm	9.9	8.4
10mm	11.6	9.9

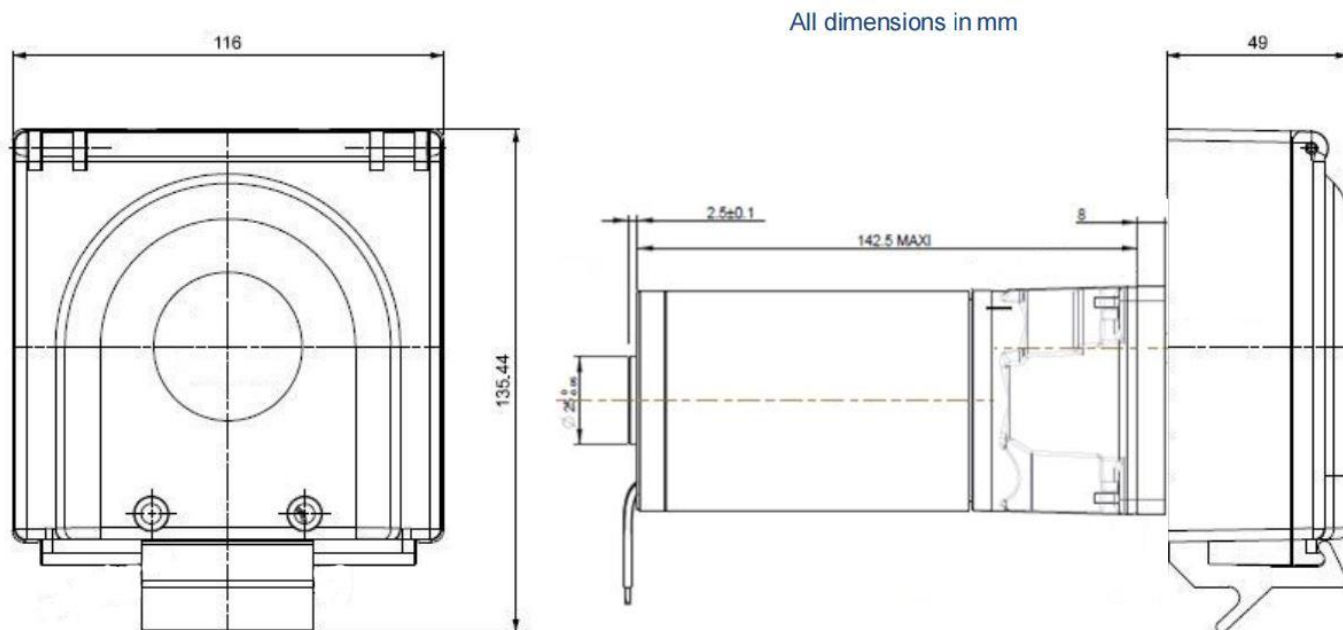
Flow rates for guidance only and subject to tube tolerance, tube age, fluid viscosity & back pressure.

The Williamson Manufacturing Company Ltd provides no warranty on usage of pumps. We recommend that life tests be carried out prior to use. This information is given in good faith and believed to be correct at the time of publishing. The Williamson Manufacturing Company Ltd cannot accept responsibility for inaccuracy or any errors contained herein. Copyright the Williamson Manufacturing Company Ltd 2008.

**Williamson Manufacturing Co Ltd**  
**Unit 2, Centenary Industrial Estate**  
**Hughes Road**  
**Brighton**  
**East Sussex BN2 4AW UK**  
Email: [sales@williamsonpumps.co.uk](mailto:sales@williamsonpumps.co.uk)

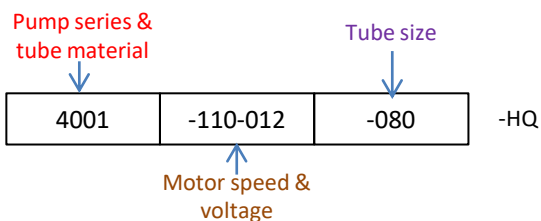
# 4000 Series with heavy duty DC motor

## Dimensions



## Ordering options

Devise your product code by using codes from the table on the right where stated below.



4001-110-012-080-HQ this product code relates to a 4000 series pump with a 110 rpm 12v DC motor with 8mm Santoprene tubing

Acetal barbed connectors available:  
 Straight: 8mm (part number GS8) 10mm (GS10)  
 Reducing: 8mm/6mm (GRS8-6) 10/8 (GRS10-8) 12/10 (GRS12-10)

	Product Code
<b>Tube Material</b>	
Silicone	4000
Santoprene	4001
<b>Motor Speed &amp; voltage</b>	
35 rpm 12v DC	035-012
70 rpm 12v DC	070-012
70 rpm 24v DC	070-024
110 rpm 12v DC	110-012
140 rpm 24v DC	140-024
220 rpm 24v DC	220-024
<b>Tube Size</b>	
8mm	-080
10mm	-100

The Williamson Manufacturing Company Ltd provides no warranty on usage of pumps. We recommend that life tests be carried out prior to use. This information is given in good faith and believed to be correct at the time of publishing. The Williamson Manufacturing Company Ltd cannot accept responsibility for inaccuracy or any errors contained herein. Copyright the Williamson Manufacturing Company Ltd 2008.

**Williamson Manufacturing Co Ltd**  
 Unit 2, Centenary Industrial Estate  
 Hughes Road  
 Brighton  
 East Sussex BN2 4AW UK  
 Email: [sales@williamsonpumps.co.uk](mailto:sales@williamsonpumps.co.uk)